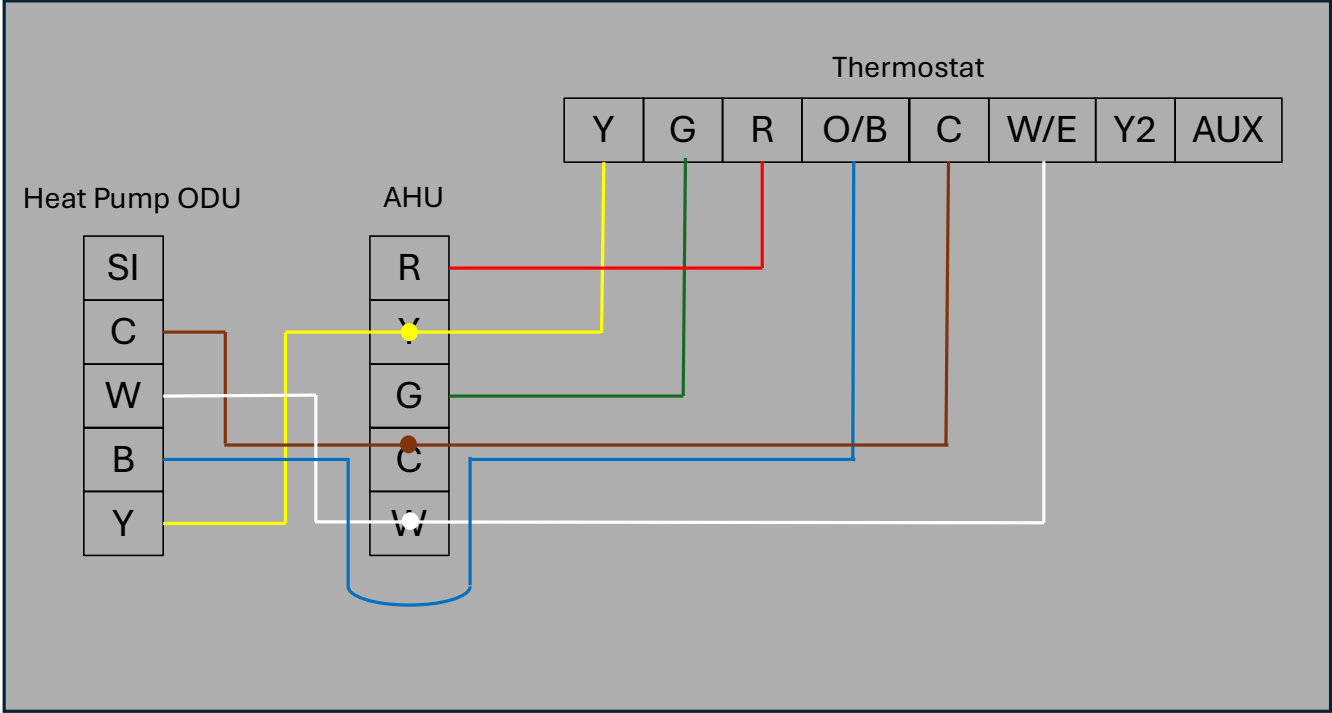
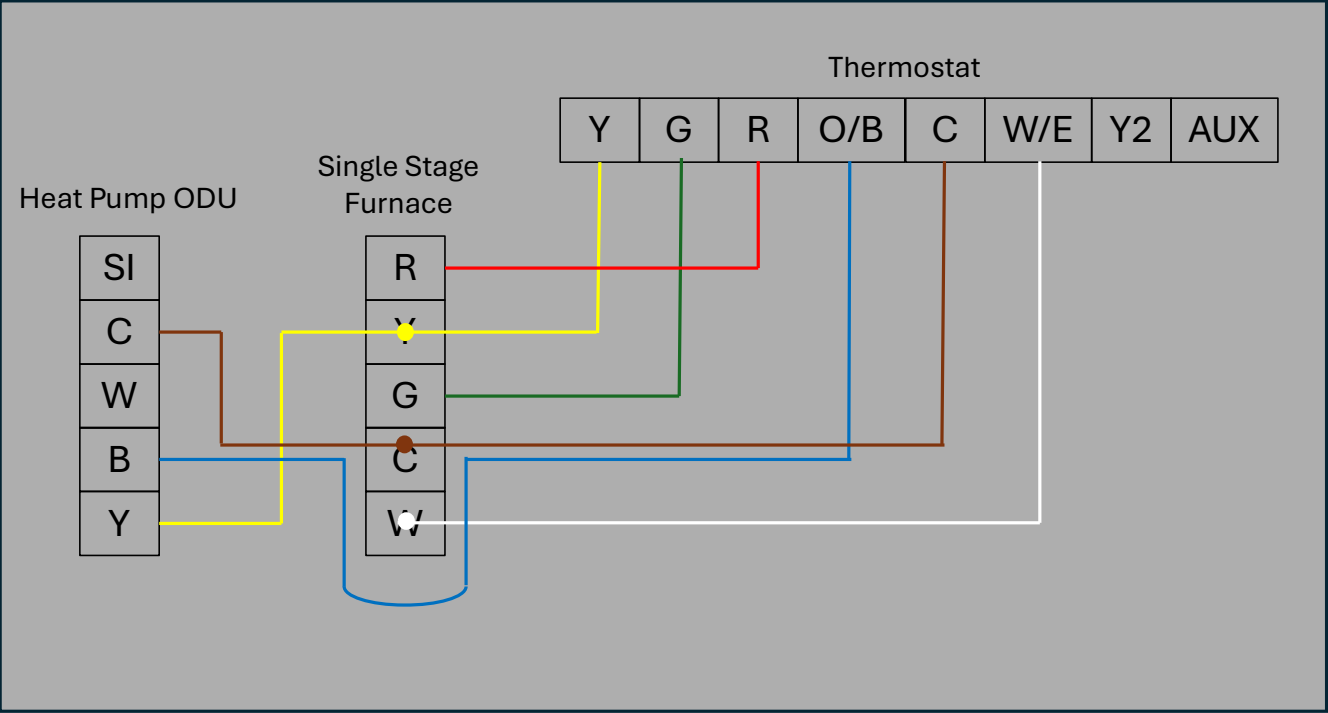


# Universal AHU (Electric Heat / Heat Pump), Heat Pump Thermostat

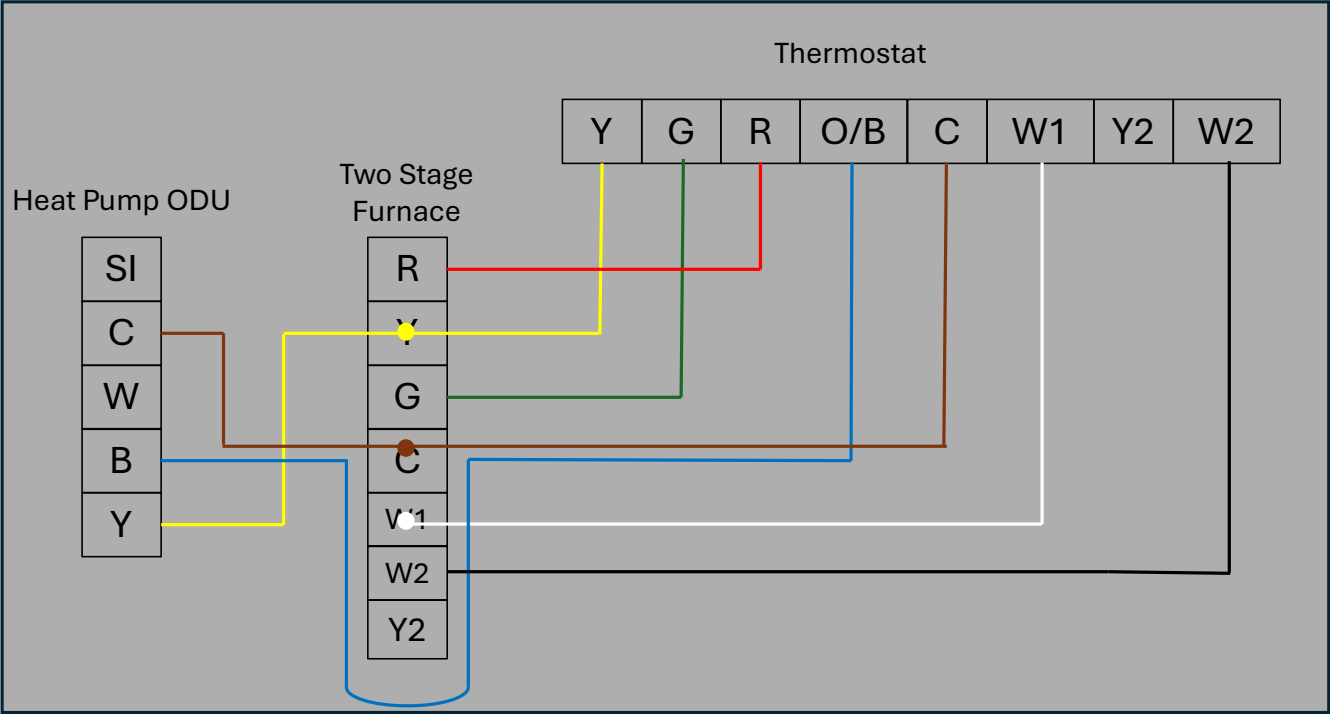


# Single Stage Furnace (Dual Fuel Application), Smart Wi-Fi Heat Pump Thermostat



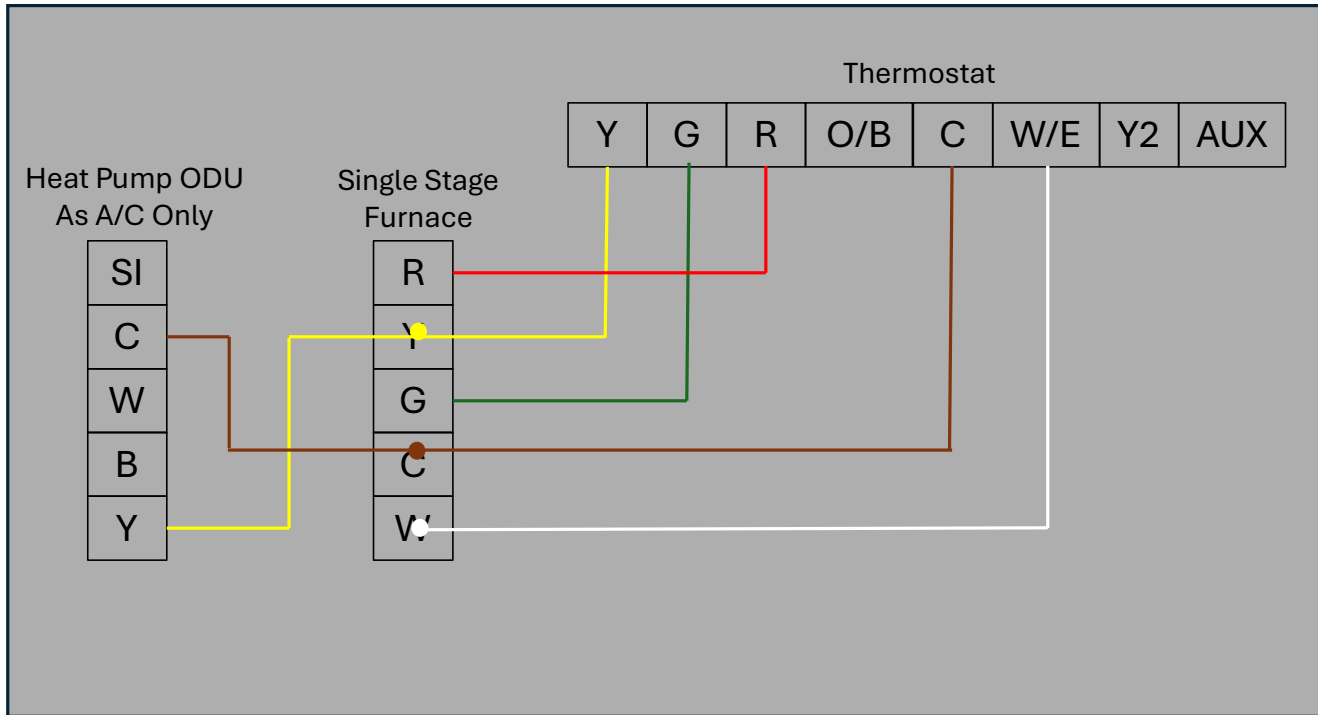
\*Thermostat controls dual fuel application. Smart Wi-Fi required for Outside Temperature input

# Two Stage Furnace (Dual Fuel Application), Dual Fuel Thermostat Control



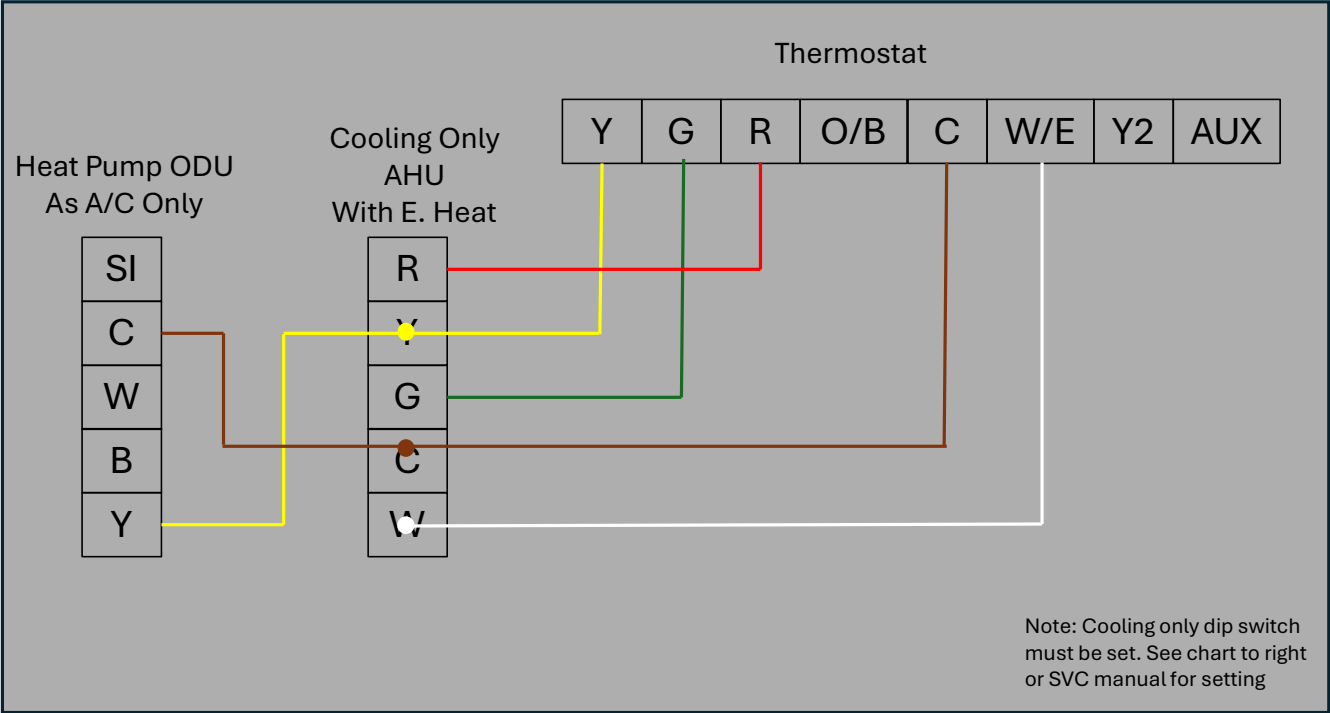
\*Thermostat controls dual fuel application. Smart Wi-Fi required for Outside Temperature input

# Single Stage Gas Furnace (Heat pump operating as A/C only), Heat/Cool Thermostat



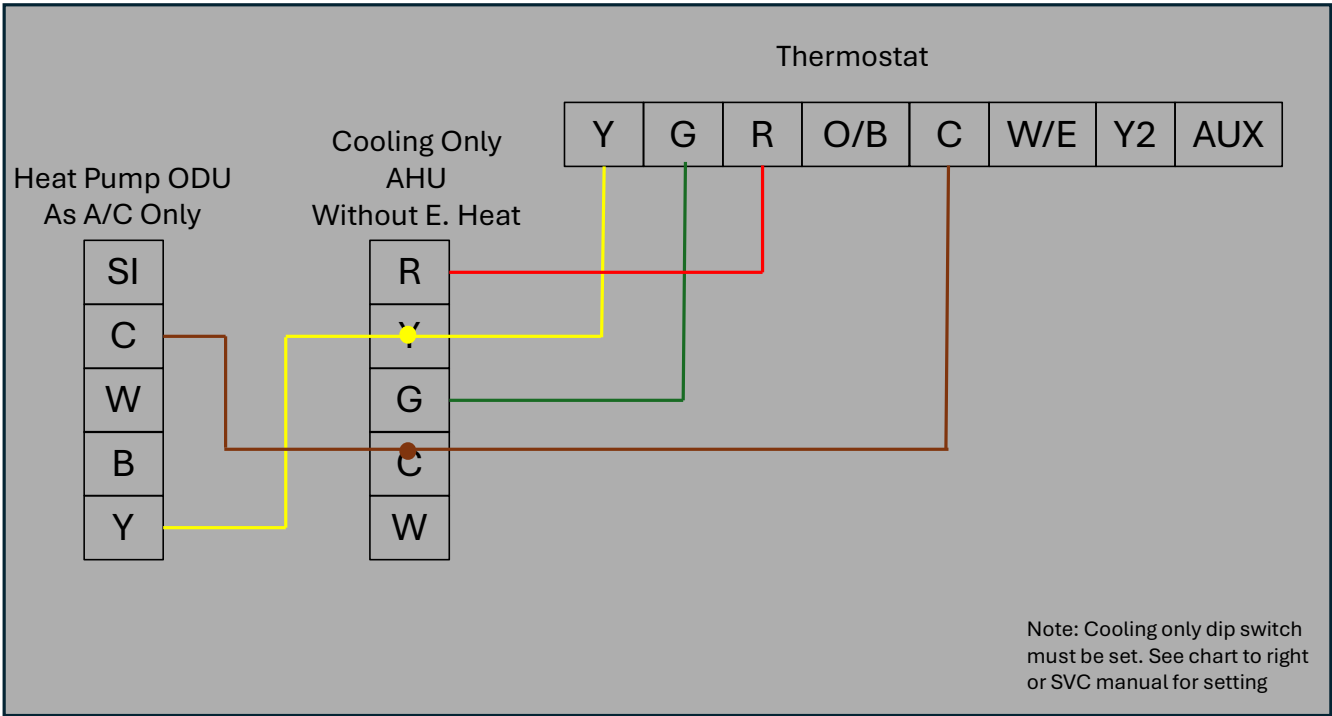
S4 DIP Switch Setting		S5 DIP Switch Setting	
Factory Setting	ON OFF <input type="checkbox"/> <input type="checkbox"/> <input type="checkbox"/> <input type="checkbox"/> 1 2 3 4	Factory Setting	ON OFF <input type="checkbox"/> <input type="checkbox"/> <input type="checkbox"/> <input type="checkbox"/> 1 2 3 4
Pump Down Switch	ON OFF <input type="checkbox"/> <input type="checkbox"/> <input type="checkbox"/> <input type="checkbox"/> 1 2 3 4	Capacity High-Low	ON OFF <input type="checkbox"/> <input type="checkbox"/> <input type="checkbox"/> <input type="checkbox"/> 1 2 3 4
Force Defrost	ON OFF <input type="checkbox"/> <input type="checkbox"/> <input type="checkbox"/> <input type="checkbox"/> 1 2 3 4	Cooling Only	ON OFF <input type="checkbox"/> <input type="checkbox"/> <input type="checkbox"/> <input type="checkbox"/> 1 2 3 4

# Cooling Only AHU (With Electric Heat), Standard Heat / Cool Thermostat



S4 DIP Switch Setting	S5 DIP Switch Setting
Factory Setting: <input type="checkbox"/> ON <input type="checkbox"/> OFF <input type="checkbox"/> OFF <input type="checkbox"/> OFF 1 2 3 4	Factory Setting: <input type="checkbox"/> ON <input type="checkbox"/> OFF <input type="checkbox"/> OFF <input type="checkbox"/> OFF 1 2 3 4
Pump Down Switch: <input type="checkbox"/> ON <input type="checkbox"/> OFF <input type="checkbox"/> OFF <input type="checkbox"/> OFF 1 2 3 4	Capacity High-Low: <input type="checkbox"/> ON <input type="checkbox"/> OFF <input type="checkbox"/> OFF <input type="checkbox"/> OFF 1 2 3 4
Force Defrost: <input type="checkbox"/> ON <input type="checkbox"/> OFF <input type="checkbox"/> OFF <input type="checkbox"/> OFF 1 2 3 4	Cooling Only: <input type="checkbox"/> ON <input type="checkbox"/> OFF <input type="checkbox"/> OFF <input type="checkbox"/> OFF 1 2 3 4

# Cooling Only AHU (Without Electric Heat), Standard Heat / Cool Thermostat



S4 DIP Switch Setting		S5 DIP Switch Setting	
Factory Setting	<input type="checkbox"/> ON <input type="checkbox"/> OFF 1 2 3 4	Factory Setting	<input type="checkbox"/> ON <input type="checkbox"/> OFF 1 2 3 4
Pump Down Switch	<input type="checkbox"/> ON <input type="checkbox"/> OFF 1 2 3 4	Capacity High→Low	<input type="checkbox"/> ON <input type="checkbox"/> OFF 1 2 3 4
Force Defrost	<input type="checkbox"/> ON <input type="checkbox"/> OFF 1 2 3 4	Cooling Only	<input type="checkbox"/> ON <input type="checkbox"/> OFF 1 2 3 4